

H G F E D C B A

4

4

3

3

2

2

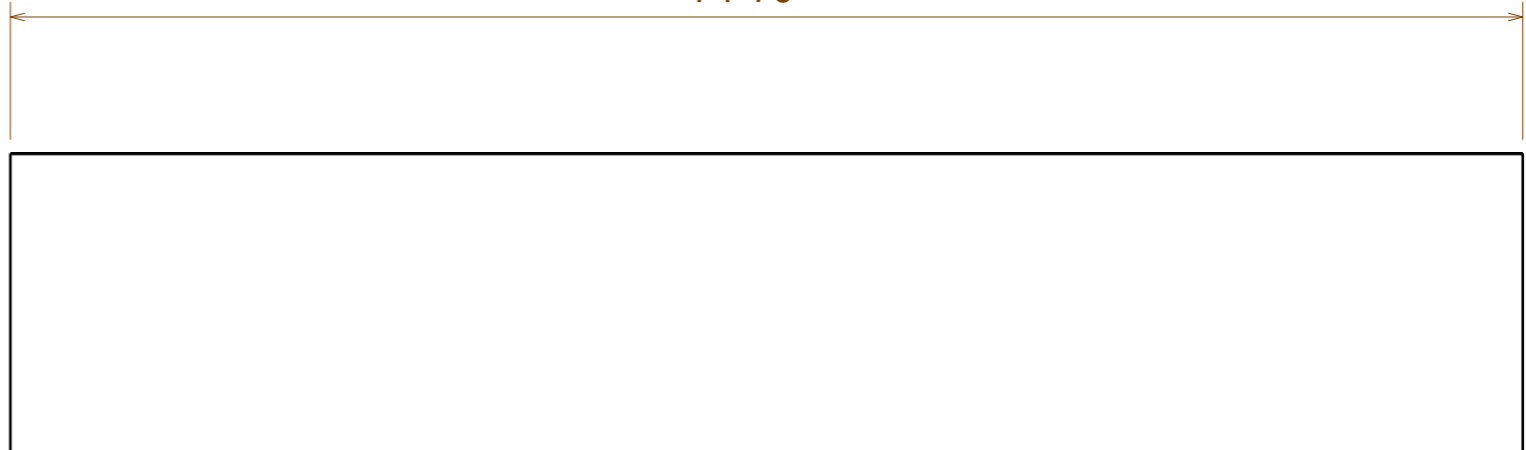
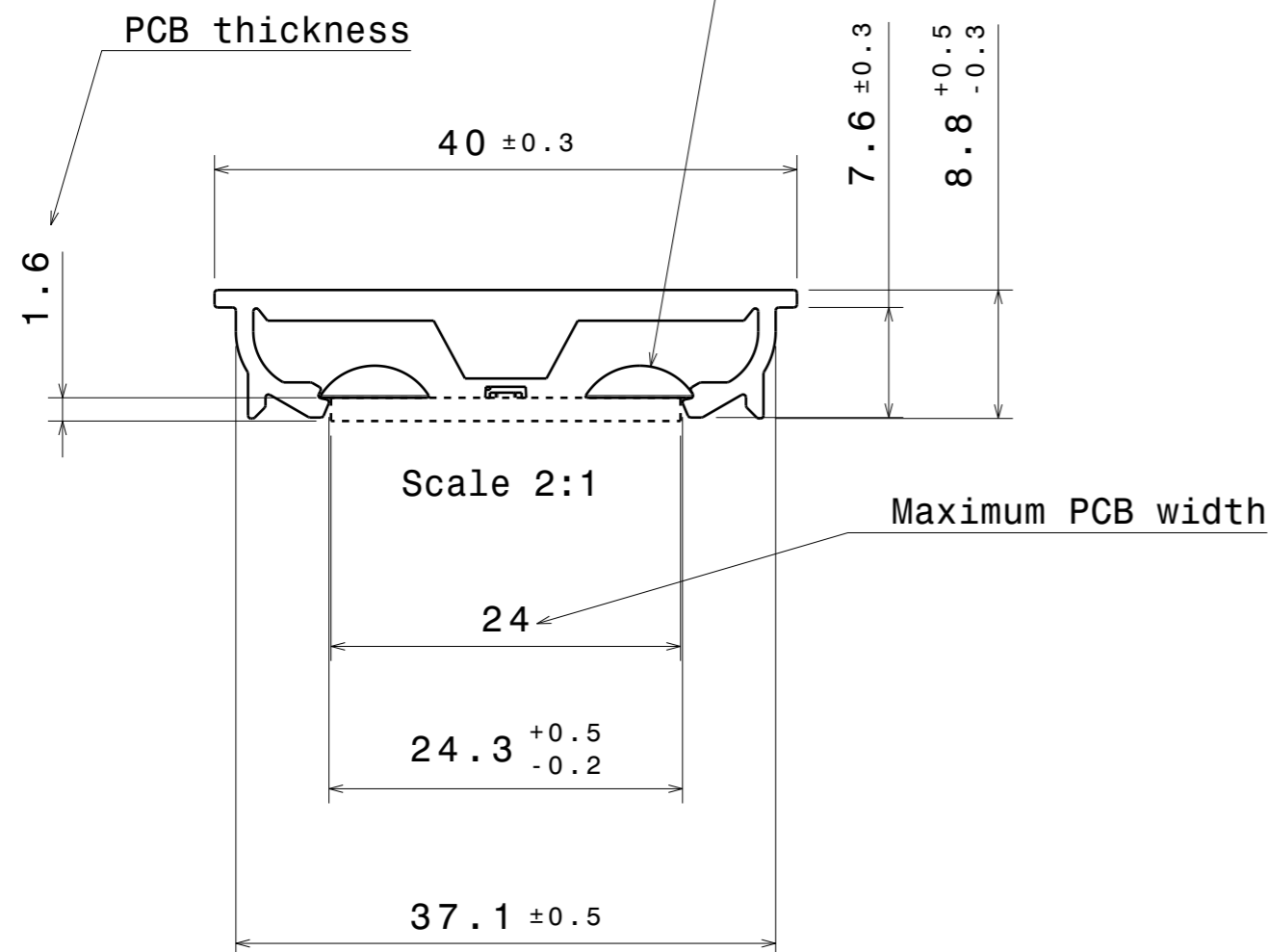
1

1

Preferred screw type:  
M4 Button head screw DIN 7380

1140 ±1

PCB thickness



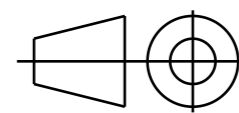
PART	TYPE	MATERIAL	COLOR / COATING
F17601_LINDA-40-0_mechanical_		PMMA DF21	

**MECHANICAL DRAWING**

PRODUCT  
**LINDA-40**



FIRST ANGLE PROJECTION:



This drawing is the property of LEDiL Oy. It may not be copied or otherwise distributed without prior written permission from LEDiL Oy.

**Notes**

- PCB or heatsink level.
- LED location
- Ensure LED fitting from a product specific 3D model available from [www.ledil.com](http://www.ledil.com)
- For more details about installation please see LEDiL Installation Guide on [www.ledil.com](http://www.ledil.com)

SCALE	1:1	WEIGHT	-	A3	SHEET 1/1
-------	-----	--------	---	----	-----------

H G F E D C B A

H

G

F

E

D

C

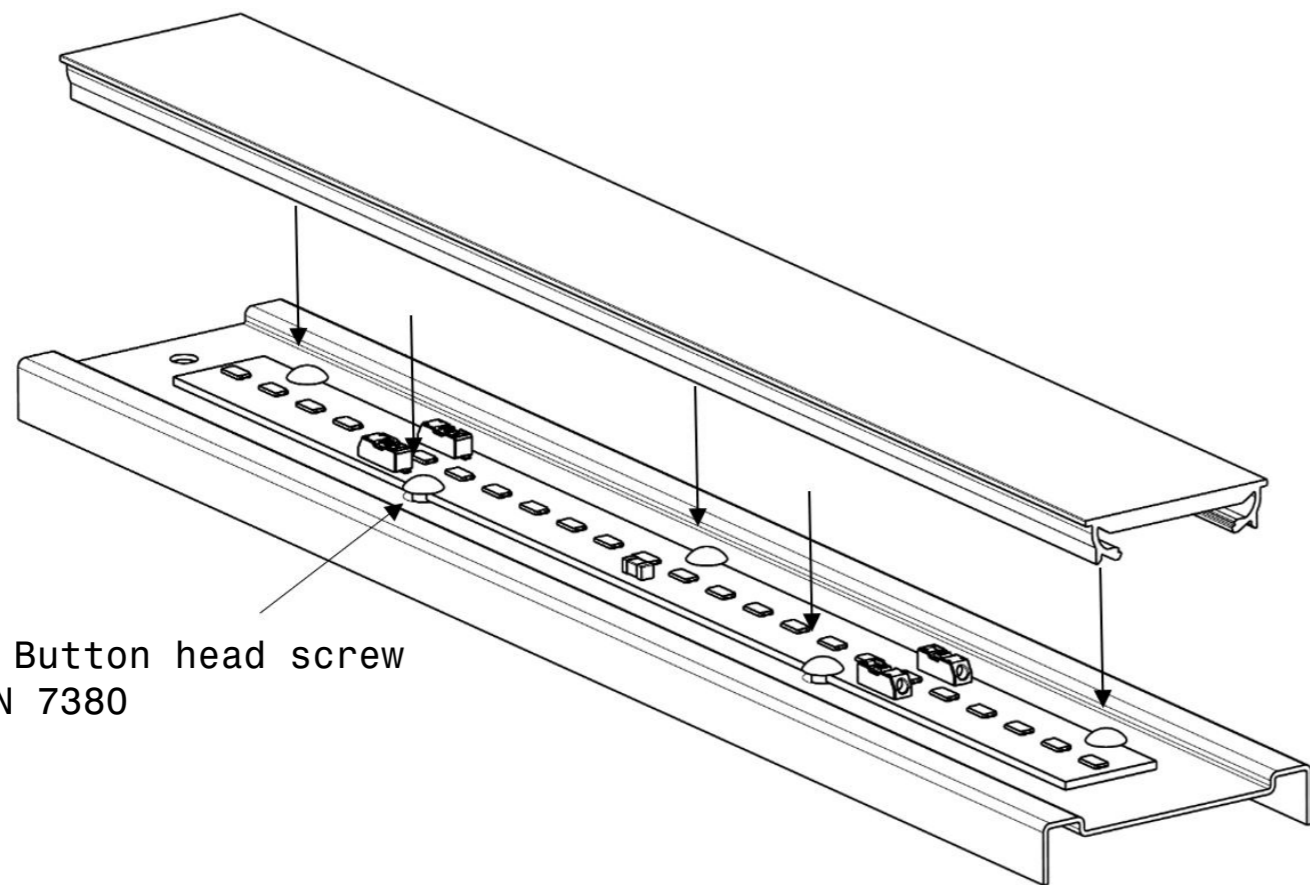
B

A

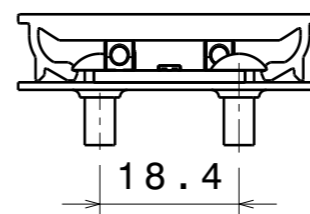
DATE
18.11.2021

# Assembly instructions LINDA-40 family

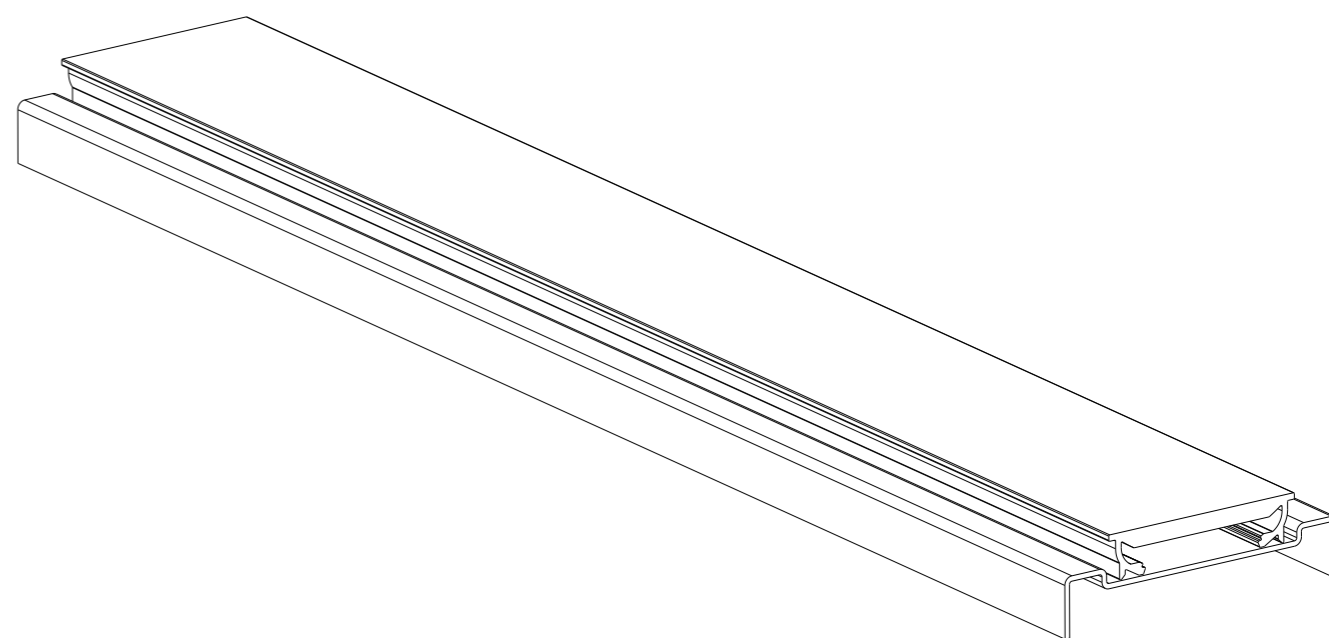
The lens is held in place by snapping to the PCB fixing screws. Snap the lens in place.



M4 Button head screw  
DIN 7380



Finished assembly.



4

3

2

1

4

3

2

1

H

G

B

A